

Sunrise/MWP Manual Wheelchair Specification Form

Quickie® 2

February 2014

With New Enhancements!

CUSTOMER INFORMATION

ACCOUNT #: _____ SHIP TO: _____

DATE: _____ NAME: _____

P.O.#: _____ ADDRESS: _____

CITY: _____ PROVINCE: _____

POSTAL CODE: _____ PHONE NUMBER: _____

BUYER: _____ MARKED FOR: _____



BASE MODEL

- 184WM32 **WMK3QU010** Quickie 2(EIQ2N) \$3,045.00
 Max. User Weight: 265 lbs (Standard Model)
 Max. User Weight: 350 lbs (Heavy Duty Model)

REAR FRAME TYPE (265 lbs. Weight Capacity)

- 184RS1 Rear Side Frame Straight NC
- 184RS2 Rear Side Frame Rounded NC
 NA with Xtender Power Assist
- 184RS3 Depth Adjustable Back (DAB) \$305.00 (1)
 NA with swing-away, flip-back armrests, or Xtender
 (Backrest set 2" rear of seat tube w/ 1" adjustable forward)

HEAVY DUTY PACKAGE (350 lbs. weight capacity)

- 184HV1 **WAMF** Heavy Duty (18"-22" w.only) \$1045.00
 NA with Xtender or Small Frame Length
 Includes Reinforced Back Upholstery & Stabilizer Bar.

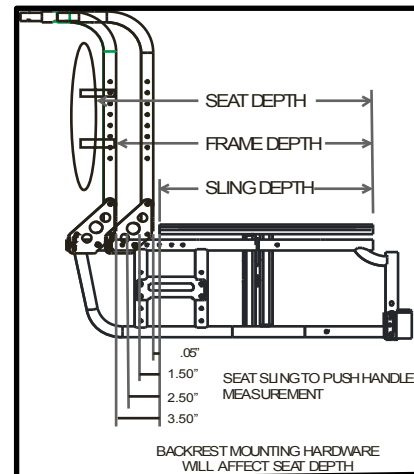
FRAME WIDTH

- 184W3 12" NC
- 184W4 13" NC
- 184W5 14" NC
- 184W6 15" NC
- 184W7 16" NC
- 184W8 17" NC
- 184W9 18" NC
- 184W10 **WAMA** 19" \$255.00
- 184W11 **WAMA** 20" \$255.00
- 184W12 **WAMA** 21" (Only Avail. With Heavy Duty) \$255.00
- 184W13 **WAMA** 22" (Only Avail. With Heavy Duty) \$255.00

SEAT DEPTH

- 184SD5 12" NC
- 184SD6 13" NC
- 184SD7 14" NC
- 184SD8 15" NC
- 184SD9 16" NC
- 184SD10 17" NC
- 184SD11 18" NC
- 184SD12 **WAMB** 19" \$255.00
- 184SD13 **WAMB** 20" \$255.00

Depth Adjustable Back Frame Type



NOTES:
 (1) OPTION FOR PURCHASE
 (2) JUSTIFICATION

FRAME LENGTH

Hemi Frame Lengths NA with Xtender Power Assist and with Hemi Hangers Only.

<input type="checkbox"/>	184FL83	Small (12"-14")	NC
<input type="checkbox"/>	184FL9	Regular (13"-16")	NC
<input type="checkbox"/>	184FL18	Long (15"-18")	NC
<input type="checkbox"/>	184FL25	X-Long (17"-20")(Steel Reinforced)	\$115.00
<input type="checkbox"/>	184FL17	Hemi (13"-16")	NC
<input type="checkbox"/>	184FL24	Long Hemi (15"-18")	NC
<input type="checkbox"/>	184FL29	X-Long Hemi (17"-20")(Steel Reinforced)	NC

FRONT SEAT HEIGHT

Please see matrix on Page 8 for additional information

<input type="checkbox"/>	184SH41	14" (Available only on Hemi Frame)	NC
<input type="checkbox"/>	184SH42	14.5"	NC
<input type="checkbox"/>	184SH12	15"	NC
<input type="checkbox"/>	184SH13	15.5"	NC
<input type="checkbox"/>	184SH14	16"	NC
<input type="checkbox"/>	184SH15	16.5"	NC
<input type="checkbox"/>	184SH16	17"	NC
<input type="checkbox"/>	184SH17	17.5"	NC
<input type="checkbox"/>	184SH18	18"	NC
<input type="checkbox"/>	184SH20	18.5"	NC
<input type="checkbox"/>	184SH21	19"	NC
<input type="checkbox"/>	184SH23	19.5"	NC
<input type="checkbox"/>	184SH24	20" (Maximum length for fixed front)	NC
<input type="checkbox"/>	184SH26	20.5" (Only available on swing away)	NC
<input type="checkbox"/>	184SH27	21" (Only available on swing away)	NC
<input type="checkbox"/>	184SH29	21.5"(NA with Hemi Frame)	NC
<input type="checkbox"/>	184SH36	22" (NA with Hemi Frame)	NC

CASTER WHEEL

All 8" casters not available with 90D hangers, ELRs and Small Frame
Please see matrix on Page 8 for additional information

<input type="checkbox"/>	184CW3	4" Low Profile Polyurethane Not available in heavy duty package.	\$90.00 (1)
<input type="checkbox"/>	184CW31	4" Micro Lighted	\$90.00 (1)
<input type="checkbox"/>	184CW72	4" x 1" Aluminum Polyurethane	\$60.00 (1)
<input type="checkbox"/>	184CW64	4" x 1.5" Aluminum Soft Roll	\$90.00 (1)
<input type="checkbox"/>	184CW5	5" Low Profile Polyurethane	NC
<input type="checkbox"/>	184CW51	5" Micro Lighted	\$90.00 (1)
<input type="checkbox"/>	184CW65	5" x 1" Aluminum Polyurethane	\$90.00 (1)
<input type="checkbox"/>	184CW7	5" x 1.5" Semi-Pneumatic	\$90.00 (1)
<input type="checkbox"/>	184CW6	5" Soft Roll (Grey) Not available with Frog Legs	\$110.00 (1)
<input type="checkbox"/>	184CW66	5" x 1.5" Aluminum Soft Roll	\$90.00 (1)
<input type="checkbox"/>	184CW34	6" Polyurethane	NC
<input type="checkbox"/>	184CW33	6" Pneumatic	\$90.00
<input type="checkbox"/>	184CW35	6" x 1.5" Semi Pneumatic	\$90.00
<input type="checkbox"/>	184CW68	6" x 1.5" Aluminum Soft Roll	\$90.00
<input type="checkbox"/>	184CW32	8" Polyurethane	NC
<input type="checkbox"/>	184CW21	8" Pneumatic	\$120.00
<input type="checkbox"/>	184CW39	8" x 1.5" Semi Pneumatic	\$120.00
<input type="checkbox"/>	184CW39	8" x 2" Pneumatic	\$205.00 (2)
<input type="checkbox"/>	184CW22	8" x 2" Pneumatic w/Airless Insert	\$325.00 (2)

CASTER FORK

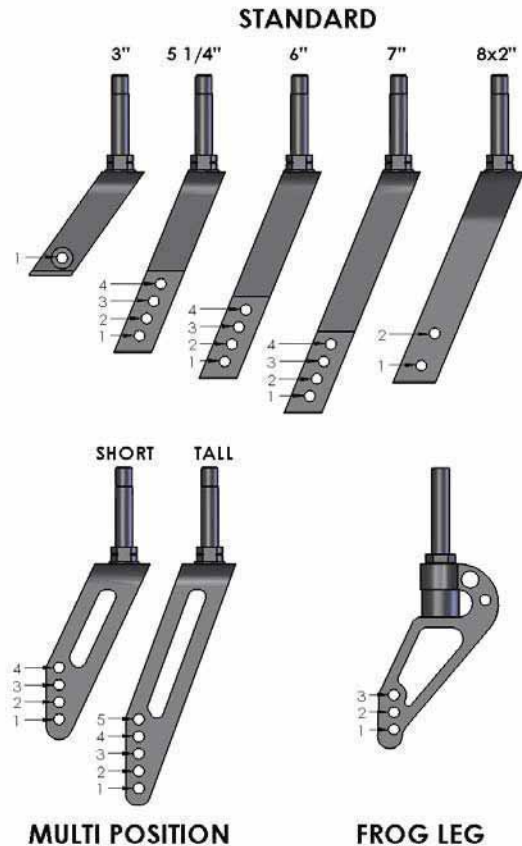
Please see matrix on Page 8 for additional information

<input type="checkbox"/>	184CF46	Multi Position Fork-Short	NC
<input type="checkbox"/>	184CF47	Multi Position Fork- Tall	NC
<input type="checkbox"/>	184CF62	3" Fork	NC
<input type="checkbox"/>	184CF12	5 1/4" Fork	NC
<input type="checkbox"/>	184CF17	6 " Fork	NC
<input type="checkbox"/>	184CF23	7" Fork	NC
<input type="checkbox"/>	184CF29	8" x 2" Fork	NC
<input type="checkbox"/>	184CF53	Frog Legs Suspension (0-100 lbs.)	\$475.00 (1)
<input type="checkbox"/>	184CF54	Frog Legs Suspension (101-190 lbs.)	\$475.00 (1)
<input type="checkbox"/>	184CF55	Frog Legs Suspension (191-265 lbs.)	\$475.00 (1)

CASTER OPTIONS

<input type="checkbox"/>	184OC1	WAMB Caster Pin Locks (N/A w/8"x2")	\$125.00 (1)
--------------------------	--------	-------------------------------------	--------------

NA with Xtender Power Assist Option or Frog Legs



NOTES:
(1) OPTION FOR PURCHASE
(2) JUSTIFICATION

HANGERS

<input type="checkbox"/>	184H85	60" Swing In/Out Hanger	NC
<input type="checkbox"/>	184H86	70" Swing In/Out Hanger	NC
<input type="checkbox"/>	184H88	70" Hemi Swing In/Out Hanger	NC
<input type="checkbox"/>	184H24	Articulating Hanger Available w/ composite & alum. angle adj. footplates. NA with Push To Lock Wheel Locks	\$435.00 (1)
<input type="checkbox"/>	184H14	WAMK Elevating Hanger Only available with aluminum footplates or angle adj. NA with short extension tubes.	\$280.00 (2)
<input type="checkbox"/>	184H42	WAMK Elevating Hemi Hanger NA w/locking angle adjust footplates 14" - 22" W available w/ aluminum or angle adj.	\$280.00 (2)
<input type="checkbox"/>	184H89	70° Swing In/Out Front Mount Available w/ aluminum angle adj.	NC
<input type="checkbox"/>	184H90	80° Swing In/Out Front Mount Available w/ aluminum angle adj.	NC
<input type="checkbox"/>	184H91	90° Swing In/Out Front Mount Available w/ aluminum angle adj.	NC
<input type="checkbox"/>	184H32	Omit Hanger	-\$18.00

FOOTREST OPTIONS (EXTENSION TUBE AND DIRECT MOUNT)

<input type="checkbox"/>	184HL4	Omit Heel Loop	NC
<input type="checkbox"/>	184HL6	Omit Leg Strap	NC

LOWER LEG LENGTH SETTING (Recommend 2" less than FSTFH)

<input type="checkbox"/>	184LO01	9"	NC	<input type="checkbox"/>	184LO02	9.5"	NC
<input type="checkbox"/>	184LO03	10"	NC	<input type="checkbox"/>	184LO04	10.5"	NC
<input type="checkbox"/>	184LO05	11"	NC	<input type="checkbox"/>	184LO06	11.5"	NC
<input type="checkbox"/>	184LO07	12"	NC	<input type="checkbox"/>	184LO08	12.5"	NC
<input type="checkbox"/>	184LO09	13"	NC	<input type="checkbox"/>	184LO10	13.5"	NC
<input type="checkbox"/>	184LO11	14"	NC	<input type="checkbox"/>	184LO12	14.5"	NC
<input type="checkbox"/>	184LO13	15"	NC	<input type="checkbox"/>	184LO14	15.5"	NC
<input type="checkbox"/>	184LO15	16"	NC	<input type="checkbox"/>	184LO16	16.5"	NC
<input type="checkbox"/>	184LO17	17"	NC	<input type="checkbox"/>	184LO18	17.5"	NC
<input type="checkbox"/>	184LO19	18"	NC	<input type="checkbox"/>	184LO20	18.5"	NC
<input type="checkbox"/>	184LO21	19"	NC	<input type="checkbox"/>	184LO22	19.5"	NC
<input type="checkbox"/>	184LO23	20"	NC	<input type="checkbox"/>	184LO24	20.5"	NC

FOOTPLATES

<input type="checkbox"/>	184F1	Composite w/Heel Loop 13"-22" W (Not available for certain seat height)	NC
<input type="checkbox"/>	184F271	WAMJ Composite Angle Adj. w/Heel Loop 16" - 22" W	\$145.00 (2)
<input type="checkbox"/>	184F3	WAMJ Aluminum Angle Adj. w/ Heel Loop 12"-22" W	\$145.00 (2)
<input type="checkbox"/>	184F5	Aluminum Footplate Available with elevating hangers.	NC
<input type="checkbox"/>	184F48	Platform Flip Up w/Leg Strap NA with short extension tubes. Available with 60°, 70° or hemi hangers.	\$190.00 (1)
<input type="checkbox"/>	184F7	Omit Footplate & Extension Tube	-\$15.00

FOOTREST LENGTH MATRIX (all dims in inches)

Hanger	Extension	Seat Sling to Top of Footrest	
		Min	Max
60 Swing Away	Short	12.5	16.5
	Med	13.0	18.0
	Long	15.0	19.5
70 Swing Away (Std & Hemi)	Short	13.0	17.0
	Med	13.5	18.5
	Long	15.5	20.5
60 Swing Away w/ Platform Flip-up	Short	11.5	14.5
	Long	14.0	18.5
70 Swing Away w/ Platform Flip-up	Short	12.5	15.5
	Long	15.5	20.0
60 Swing Away w/ Locking Ang Adj	Short	12.0	14.0
	Med	12.0	16.0
	Long	12.0	16.5
70 Swing Away w/ Locking Ang Adj	Short	12.5	15.0
	Med	12.5	17.0
	Long	12.5	17.5
*70 Front Mount	No Ext	6.0	11.5
	2" Ext	6.0	14.0
	4" Ext	6.0	16.0
*80 Front Mount	No Ext	6.0	12.0
	2" Ext	6.0	14.5
	4" Ext	6.0	16.5
90 Front Mount	No Ext	5.5	11.5
ALR	Med	15.0	17.5
	Long	17.5	20.0
ELR (Std & Hemi)	Short	14.0	18.0
	Long	15.0	20.0
90 ELR	No Ext	9.0	11.0

* 2" & 4" Extensions shipped separate, not mounted

NOTES:
(1) OPTION FOR PURCHASE
(2) JUSTIFICATION

REAR SEAT HEIGHT

21.5" & 22" only available with amputee or straight axle plate & Mountain Wheel

<input type="checkbox"/>	184RH11	13" (curved axle plate and rounded rear)	NC
<input type="checkbox"/>	184RH12	13.5"	NC
<input type="checkbox"/>	184RH13	14"	NC
<input type="checkbox"/>	184RH14	14.5"	NC
<input type="checkbox"/>	184RH15	15"	NC
<input type="checkbox"/>	184RH16	15.5"	NC
<input type="checkbox"/>	184RH17	16"	NC
<input type="checkbox"/>	184RH18	16.5"	NC
<input type="checkbox"/>	184RH19	17"	NC
<input type="checkbox"/>	184RH26	17.5"	NC
<input type="checkbox"/>	184RH20	18"	NC
<input type="checkbox"/>	184RH27	18.5"	NC
<input type="checkbox"/>	184RH21	19"	NC
<input type="checkbox"/>	184RH37	19.5"	NC
<input type="checkbox"/>	184RH22	20"	NC
<input type="checkbox"/>	184RH38	20.5"	NC
<input type="checkbox"/>	184RH23	21"	NC
<input type="checkbox"/>	184RH39	21.5"	NC
<input type="checkbox"/>	184RH40	22"	NC

HANDRIM

Aluminum and Plastic available on all wheels in all available wheel sizes
 Natural Fits are available in 22", 24", 25" and 26" sizes
 Handrim Selection not applicable with Extender Power Assist
 Ultra Lightweight Wheels only available with Aluminum Anodized Handrim

<input type="checkbox"/>	184HR1	Aluminum Anodized	NC
<input type="checkbox"/>	184HR4	WAMO Plastic Coated	\$ 130.00 (2)
<input type="checkbox"/>	184HR22	Natural Fit - Standard Grip	\$ 310.00 (1)
<input type="checkbox"/>	184HR23	Natural Fit - Super Grip	\$ 360.00 (1)
<input type="checkbox"/>	184HR31	Natural Fit LT- Super Grip	\$ 490.00 (1)
<input type="checkbox"/>	184HR24	Spinergy Flex Rim Available on 24" & 25" Spinergy LX wheel	\$ 580.00 (1)
<input type="checkbox"/>	184HR7	Omit Handrim	-\$10.00

PROJECTION HANDRIMS

Not available with Xtender Power Assist Option or plastic coated handrims.
 Only available with 24" or 26" rims / Height Adj and Flip Back Arms

<input type="checkbox"/>	184HR8	WAMQ 8 Oblique	\$ 120.00
--------------------------	--------	----------------	-----------

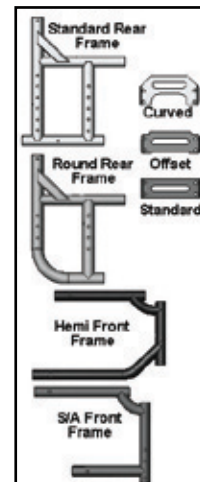
REAR WHEEL TYPE

Not applicable when Xtender Power Assist Option is chosen.
 Ultra Lightweight Wheels only available with Aluminum Anodized Handrim
 Handrims cannot be omitted on Lite Spoke Wheels

<input type="checkbox"/>	184RW8	22" Mag Wheel	NC
<input type="checkbox"/>	184RW1	24" Mag Wheel	NC
<input type="checkbox"/>	184RW91	22" Lite Spoke Wheel	\$265.00
<input type="checkbox"/>	184RW92	24" Lite Spoke Wheel	NC
<input type="checkbox"/>	184RW77	22" Ultra Lightweight Spoke Wheel	\$295.00 (1)
<input type="checkbox"/>	184RW78	24" Ultra Lightweight Spoke Wheel	\$295.00 (1)
<input type="checkbox"/>	184RW28	22" Spinergy SPOX Black	\$715.00 (1)
<input type="checkbox"/>	184RW95	24" Spinergy SPOX Black	\$715.00 (1)
<input type="checkbox"/>	184RW32	22" Spinergy LX Black	\$920.00 (1)
<input type="checkbox"/>	184RW98	24" Spinergy LX Black	\$920.00 (1)
<input type="checkbox"/>	184RW50	24" Mountain	\$325.00 (1)
<input type="checkbox"/>	184RW25	Omit Rear Wheel and Axle (Intended Size for Set Up _____)	-\$40.00
<input type="checkbox"/>	184RW49	Omit Rear Wheel(Use with Xtender)	NC

Q2 Rear Seat Height Availability

Rear Tire	Min RSH	Max RSH
20" Pneumatic	13.0	19.0
20" Poly	13.0	19.0
22" Pneumatic	14.0	20.0
22" Poly	14.0	20.0
22" HP Clincher	13.5	19.5
22" Schwalbe	13.5	19.5
22" Kik	13.5	19.5
24" Pneumatic	14.5	21.0
24" Poly	14.5	21.0
24" HP Clincher	14.5	20.5
24" Knobby	14.5	21.0
24" Schwalbe	14.5	20.5
24" Kik	14.5	20.5
24" Mountain	15.0	21.0
24" Poly Low	14.5	20.5
25" HP Clincher	15.0	21.0
25" Schwalbe	15.0	21.0
25" KIK	14.5	20.5
26" Pneumatic	16.0	22.0
26" HP Clincher	15.5	21.5
26" Schwalbe	15.5	21.5



Rear Side Frame	Min RSH	Max RSH
Curved	13	21
Straight	13.5	22
DAB	14	22

Axle Plate	Min RSH	Max RSH
Curved	13	22
Straight	13.5	22
Offset	13.5	22
Amputee	13.5	22

Rear Tire, Side Frame and Axle Plate selections dictate seat height availability.

*Not all combinations are possible within acceptable seat height ranges.

REAR WHEEL TIRE

Not applicable when Xtender Power Assist Option is chosen.

<input type="checkbox"/>	184RT1	Pneumatic	NC
<input type="checkbox"/>	184RT2	Pneumatic Airless Insert	\$205.00
<input type="checkbox"/>	184RT3	Full Poly	NC
<input type="checkbox"/>	184RT6	High-Pressure Clincher	\$85.00 (1)
<input type="checkbox"/>	184RT23	Knobby V- Trak by Kenda	\$130.00 (1)
<input type="checkbox"/>	184RT21	Schwalbe Marathon Plus Evolution	\$130.00 (1)
<input type="checkbox"/>	184RT22	Kik® Mako Black	\$125.00 (1)

22" KIK is only available in Pyramid profile

Tire \ Wheel	Mag	LiteSpoke	Ultra Lightweight	Spingery	Mountain
Pneumatic	22,24	22,24,26		22,24,26	
PneumaticAirlessInsert	22,24	22,24		22,24	
FullPolyTire	22,24	22,24			
High-PressureClincher		22,24,25,26	22,24,26	22,24,25,26	
KnobbyV-TRAK		24		24	
SchwalbeMarathonPlus		22,24,25,26	22,24,26	22,24,25,26	
Kik®MakoBlack	22,24	22,24,25		22,24,25	
Mountain					24,26

22"=489 24"=540 25"=559 26"=590

NOTES:
 (1) OPTION FOR PURCHASE
 (2) JUSTIFICATION

AXLE

<input type="checkbox"/>	184AX1	WAMU Quick Release Steel	NC
<input type="checkbox"/>	184AX11	Quad Quick Release Mag and Mountain Wheel Only	\$150.00 (1)

AXLE PLATE

<input type="checkbox"/>	184AL33	Standard Adjustable Some restrictions may apply	NC
<input type="checkbox"/>	184AL5	Curved Adjustable	NC
<input type="checkbox"/>	184AL6	WAMT Amputee Adjustable Available with SPHA armrests	\$120.00
<input type="checkbox"/>	184AL29	Offset Adjustable Rear seat height will be 1/4" lower than standard RSTFH	

ONE ARM DRIVE

Not available with Xtender, 25" & 26" wheels, 12" 21" & 22" Wide, HD Package Padded Swing Away Arm, anti tips, amputee axle, or small tray table. Mags only

<input type="checkbox"/>	184AL16	WAML One Arm Drive Adj. Axle Plate	\$1,145.00 (2)
<input type="checkbox"/>	184OA1	Small Handrim (NA w/ 20" wheels)	NC
<input type="checkbox"/>	184OA2	Standard Handrim	NC
<input type="checkbox"/>	184HM1	Right Hand Mount	NC
<input type="checkbox"/>	184HM2	Left Hand Mount	NC

BACK TYPE

<input type="checkbox"/>	184BT10	Standard	NC
<input type="checkbox"/>	184BT20	Angle Adjustable Back (3-5")	\$295.00 (2)
<input type="checkbox"/>	184BT22	Angle Adjustable Back (5"-7")	\$295.00 (2)
<input type="checkbox"/>	184BT6	Depth Adjustable (Required with DAB)	NC

BACKREST UPHOLSTERY (STANDARD OR ANGLE ADJUSTABLE)

<input type="checkbox"/>	184BU1	Standard Upholstery	NC
<input type="checkbox"/>	184BU8	WAMO Tension Adjustable Upholstery Not available with fabric side guards or Depth Adj. Back Not available with Heavy Duty option	\$170.00 (1)
<input type="checkbox"/>	184BP8	Omit Back Post & Upholstery Use with DAB solid back & Hardware	-\$35.00
<input type="checkbox"/>	184BU23	Depth Adjustable Solid Back	\$155.00 (1)
<input type="checkbox"/>	184BU14	Omit Back Upholstery	-\$18.00

BACKREST OPTION

<input type="checkbox"/>	184OD4	Reinforced Upholstery Only available with HD package	\$45.00
--------------------------	--------	---	---------

DON'T FORGET THE QUICKIE BUNDLING PROGRAM!!!

BACK POST OPTIONS (Standard or Angle Adjustable)

<input type="checkbox"/>	184BP1	Push Handle Straight	NC
<input type="checkbox"/>	184BP3	Push Handle 8° Med. Or Tall only. NA on Angle Adjustable Backrest	NC
<input type="checkbox"/>	184BP2	Omit Push Handle Straight (NA w/HD)	NC
<input type="checkbox"/>	184BP4	Omit Push Handle 8° (NA w/HD)	NC
<input type="checkbox"/>	184BP5	Angle Adj. Straight Push Handles	NC
<input type="checkbox"/>	184BP6	Angle Adj. Omit Push Handles	NC

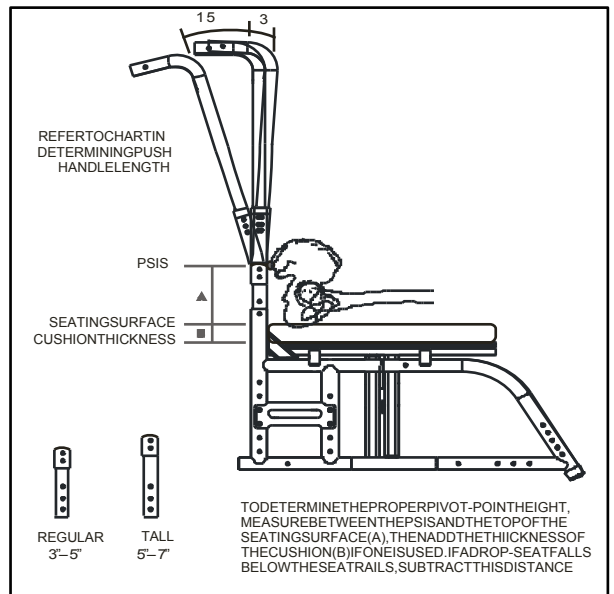
BACK POST OPTIONS (Depth Adjustable Back)

<input type="checkbox"/>	184BP33	DAB - Swing Away Stroller Handles	\$160.00 (1)
<input type="checkbox"/>	184BP27	DAB - Post Standard	NC
<input type="checkbox"/>	184BP28	DAB - Post Medium	NC
<input type="checkbox"/>	184BP29	DAB - Post Tall	NC

ANGLE ADJUSTABLE BACKREST PIVOT HEIGHT

Standard push handles only. Some interference with Padded SA arms
Not available with flip-back or flip-back height adjustable armrests.

<input type="checkbox"/>	184AH1	Angle Adjustable Pivot 3"	NC
<input type="checkbox"/>	184AH2	Angle Adjustable Pivot 4"	NC
<input type="checkbox"/>	184AH3	Angle Adjustable Pivot 5"	NC
<input type="checkbox"/>	184AH4	Angle Adjustable Pivot 6"	NC
<input type="checkbox"/>	184AH5	Angle Adjustable Pivot 7"	NC

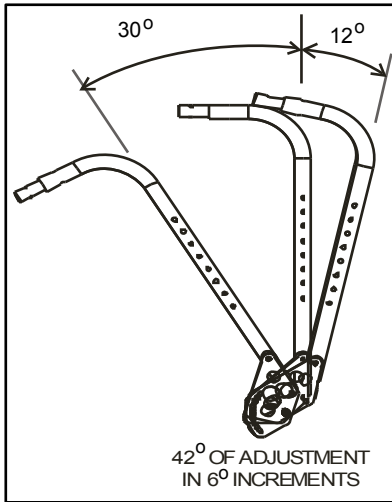


NOTES:
(1) OPTION FOR PURCHASE
(2) JUSTIFICATION

ANGLE ADJUSTABLE BACKREST (+3°, -15°)

Angle Adjustable Pre - Set Angle (OPTIONAL)

<input type="checkbox"/> 184BD5	Back Angle - 15	NC
<input type="checkbox"/> 184BD4	Back Angle - 12	NC
<input type="checkbox"/> 184BD3	Back Angle - 6	NC
<input type="checkbox"/> 184BD2	Back Angle - 0	NC
<input type="checkbox"/> 184BD1	Back Angle +3	NC



BACK HEIGHT

<input type="checkbox"/> 184B1	Low (9"-12")	NC
<input type="checkbox"/> 184B5	Medium (12"-15")	NC
<input type="checkbox"/> 184B9	Tall (16"-19")	NC
<input type="checkbox"/> 184B66	Depth Adjustable 12"	NC
<input type="checkbox"/> 184B67	Depth Adjustable 14"	NC
<input type="checkbox"/> 184B68	Depth Adjustable 16"	NC
<input type="checkbox"/> 184B69	Depth Adjustable 18"	NC
<input type="checkbox"/> 184B70	Depth Adjustable 20"	NC

BACK HEIGHT SETTING (Standard or Angle Adjustable)

<input type="checkbox"/> 184UX4	9"	NC	<input type="checkbox"/> 184UX18	16"	NC
<input type="checkbox"/> 184UX6	10"	NC	<input type="checkbox"/> 184UX20	17"	NC
<input type="checkbox"/> 184UX8	11"	NC	<input type="checkbox"/> 184UX22	18"	NC
<input type="checkbox"/> 184UX10	12"	NC	<input type="checkbox"/> 184UX24	19"	NC
<input type="checkbox"/> 184UX12	13"	NC	<input type="checkbox"/> 184UX26	20"	NC
<input type="checkbox"/> 184UX14	14"	NC	<input type="checkbox"/> 184UX28	21"	NC
<input type="checkbox"/> 184UX16	15"	NC	20" & 21" only with Ang. Adj. Back		

ANGLE ADJUSTABLE BACKREST CHART

Back Tube Height	LOW	MEDIUM	TALL
Pivot Regular set at 3"	12" 13" 14"	15" 16" 17"	17" 18" 19"
Pivot Regular set at 4"	13" 14" 15"	16" 17" 18"	18" 19" 20"
Pivot Regular set at 5"	14" 15" 16"	17" 18" 19"	19" 20" 21"
Pivot Tall set at 5"	14" 15" 16"	17" 18" 19"	19" 20" 21"
Pivot Tall set at 6"	15" 16" 17"	18" 19" 20"	N/A
Pivot Tall set at 7"	16" 17" 18"	19" 20" 21"	N/A

Adjustable Pivot Point Preset Measurement from Seat Sling
If back height option is not chosen, middle option will be preset.

STABILIZER BAR

<input type="checkbox"/> 184SZ1	Stabilizer Bar	\$140.00 (1)
Standard with Heavy Duty Package		
Not available on a 12"/13" Frame Width		

ARMREST - PADDED SWING AWAY

Not available with depth adjustable back, transit, Xtender or Amputee axle
Some limitations may exist with integral push handles, some RSTFHs and wheel sizes

<input type="checkbox"/> 184AA18	Padded Swing-Away STD (9" to 13")	NC
Setting <input type="checkbox"/> 6" <input type="checkbox"/> 7" <input type="checkbox"/> 8" <input type="checkbox"/> 9" <input type="checkbox"/> 10" <input type="checkbox"/> 11" <input type="checkbox"/> 12" <input type="checkbox"/> 13"		
Please Circle		

ARMREST HEIGHT ADJUSTABLE

<input type="checkbox"/> 184AA11	Height Adjustable Standard (NC w/DAB)	\$280.00
<input type="checkbox"/> 184AA29	Height Adjustable Low (NC w/DAB)	\$280.00

FLIP BACK ARMREST

Not available with depth adjustable back, Xtender, small frame, amputee axle
highest axle on rounded rear frame, angle adjustable back.

<input type="checkbox"/> 184AA6	Flip Back Height Adj (Classic)	\$315.00
<input type="checkbox"/> 184AA65	Flip Back Height Adj (LITE)	\$315.00
<input type="checkbox"/> 184AA5	Flip Back	\$135.00

FLIP UP ARMREST (for use with Depth Adjustable Back)

Requires an "Armpad Foam" from the "Arm Pad - Height Adj." section below

<input type="checkbox"/> 184AA7	Adj. Locking Flip-up	\$280.00 (1)
<input type="checkbox"/> 184AA1	Length Adjustable Locking Flip-up	\$280.00 (1)

OMIT ARMREST

<input type="checkbox"/> 184AA14	Omit Armrest	NC
----------------------------------	--------------	----

ARM PAD - HEIGHT ADJUSTABLE

For Flip Back, Single Post, and Flip Up. Contour pad not recommended for Tray tables
Contour only available with Single Post Height Adjustable.

<input type="checkbox"/> 184AM23	Desk Length - Classic (10")	NC
<input type="checkbox"/> 184AM21	Desk Length - Contour (10")	NC
<input type="checkbox"/> 184AM24	Full Length - Classic (14")	NC
<input type="checkbox"/> 184AM22	Full Length - Contour (14")	NC
<input type="checkbox"/> 184AM9	Armpad Foam - Short (Flip Up armrests)	NC
<input type="checkbox"/> 184AM10	Armpad Foam - Long (Flip Up armrests)	NC

WHEEL LOCK

Ergo & Compact NA with Short Frame or Amputee Axle Plate.
Additional No Gos may exist depending on wheel size and position

<input type="checkbox"/> 184WL1	High Mount Push	NC
<input type="checkbox"/> 184WL2	High Mount Pull	NC
<input type="checkbox"/> 184WL27	Ergo Scissor	\$130.00 (1)
<input type="checkbox"/> 184WL30	Compact	\$135.00 (1)
<input type="checkbox"/> 184WL10	Omit	NC

WHEEL LOCK OPTION

<input type="checkbox"/> 184WL12	Do Not Mount	NC
----------------------------------	--------------	----

EXTENSION HANDLE

Not available with Ergo Scissor or Compact

<input type="checkbox"/> 184EH1	6" Pair	\$ 60.00
---------------------------------	---------	----------

GRADE AID

<input type="checkbox"/> 184GA1	WAMR Grade Aid	\$ 130.00 (1)
Not available with polyurethane, Kik, Schwalbe or high pressure clincher tires. Also not available with short frame, Ergo Scissor or Compact wheel locks.		

NOTES:
(1) OPTION FOR PURCHASE
(2) JUSTIFICATION

SEAT SLING

<input type="checkbox"/>	184SL1	Standard Seat Sling	NC
<input type="checkbox"/>	184SL6	Omit Seat Sling	-\$18.00

CUSHION

<input type="checkbox"/>	184CU1	2" Cushion	\$155.00 (1)
--------------------------	--------	------------	--------------

JAY CUSHION

Please see the Jay Price List

<input type="checkbox"/>	184JC01	Jay Basic	See OF
<input type="checkbox"/>	184JC02	Jay Easy	See OF
<input type="checkbox"/>	184JC03	Jay Soft Combi P	See OF
<input type="checkbox"/>	184JC06	Jay LITE	See OF
<input type="checkbox"/>	184JC04	Jay J2	See OF
<input type="checkbox"/>	184JC05	Jay J2 DC	See OF

SIDE GUARD

Plastic Side Guards NA w/Height Adj. Arms

Side guard interference with Padded SA arms at some heights may exist

<input type="checkbox"/>	184SG33	WAMV Plastic Standard (8.5" High)	\$155.00 (1)
<input type="checkbox"/>	184SG29	WAMV Plastic Low (6.5" High)	\$155.00 (1)

ANTI-TIP

<input type="checkbox"/>	184AT1	Rear Anti-Tip(Included with Xtender)	\$100.00
--------------------------	--------	--------------------------------------	----------

TRANSIT OPTION

NA with padded Swing Away Arms, Stroller Handles or Xtender

<input type="checkbox"/>	184ATO1	Transit System	NC
--------------------------	---------	----------------	----

BACKPACK

<input type="checkbox"/>	184A1	Quickie Backpack Black	\$92.00 (1)
<input type="checkbox"/>	184A2	Quickie Kids Backpack Black	\$85.00 (1)

SEAT POUCH

<input type="checkbox"/>	184A8	Quickie Seat Pouch Black	\$70.00 (1)
--------------------------	-------	--------------------------	-------------

ADDITIONAL COVER & PACK ACCESSORIES

<input type="checkbox"/>	184A500	Gel Cover Hanger/Frame	\$135.00 (1)
<input type="checkbox"/>	184A994	Gel Cover Swing Away Arm	\$135.00 (1)

POSITIONING BELTS

<input type="checkbox"/>	184A141	Belt 1.5" Auto Buckle w/Clamps	\$80.00
<input type="checkbox"/>	184A117	Belt 2" Aircraft Buckle w/Clamps	\$115.00 (1)
<input type="checkbox"/>	184A118	Belt 2" Aircraft Buckle Pad w/Clamp	\$170.00 (1)
<input type="checkbox"/>	184A120	Positioning Belt Slide Clamps	\$50.00 (1)

SPOKE GUARDS

<input type="checkbox"/>	184A302	WAMP Quickie Clear Spoke Guards	\$130.00 (1)
<input type="checkbox"/>	184A23	WAMP Quickie Black Spoke Guards	\$130.00 (1)

MISCELLANEOUS

<input type="checkbox"/>	184A82	Caddy(NA with front mount hangers)	\$75.00 (1)
<input type="checkbox"/>	184A49	Crutch Holder	\$95.00 (1)
<input type="checkbox"/>	184A55	Extra Leg Strap Black	\$50.00 (1)
<input type="checkbox"/>	184IG2	Impact Guard Neoprene	\$50.00 (1)
<input type="checkbox"/>	184A73	IV Holder	\$180.00 (1)
<input type="checkbox"/>	184A145	WAMX O2 Holder	\$355.00 (1)
<input type="checkbox"/>	184A83	Tool Kit	\$35.00 (1)
<input type="checkbox"/>	184A31	Tray Table	\$315.00 (1)

NOTES:
 (1) OPTION FOR PURCHASE
 (2) JUSTIFICATION

***Quickie 2 Seat to Floor Height Matrix- Standard Frame (Hemi subtract 2")**

All 3" Casters						
Fork Size	Stem Size	Bolt Position				
		5	4	3	2	1
Multi Position Short	Std	-	-	-	16.5	17.0
	3/4"	-	-	-	17.0	17.5
	1 1/2"	-	-	-	18.0	18.5
Multi Position Tall	Std	-	-	-	18.5	19.0
	3/4"	-	-	-	19.0	19.5
	1 1/2"	-	-	-	20.0	20.5
3"	Std	-	-	-	-	15.0
	3/4"	-	-	-	-	15.5
	1 1/2"	-	-	-	-	16.5
5 1/4"	Std	-	-	-	-	17.0
	3/4"	-	-	-	-	18.0
	1 1/2"	-	-	-	-	18.5
6"	Std	-	-	-	-	18.0
	3/4"	-	-	-	-	18.5
	1 1/2"	-	-	-	-	19.5
7"	Std	-	-	-	-	19.0
	3/4"	-	-	-	-	19.5
	1 1/2"	-	-	-	-	20.5
8" X 2"	Std	-	-	-	-	-
	3/4"	-	-	-	-	-
	1 1/2"	-	-	-	-	-
Frog Legs	Std	-	-	-	16.5	17.0
	1 1/2"	-	-	-	18.0	18.5

All 4" Casters						
Fork Size	Stem Size	Bolt Position				
		5	4	3	2	1
Multi Position Short	Std	-	-	16.5	17.0	17.5
	3/4"	-	-	-	17.5	18.0
	1 1/2"	-	-	-	18.5	19.0
Multi Position Tall	Std	-	-	18.5	19.0	19.5
	3/4"	-	-	-	19.5	20.0
	1 1/2"	-	-	-	20.5	21.0
3"	Std	-	-	-	-	-
	3/4"	-	-	-	-	-
	1 1/2"	-	-	-	-	-
5 1/4"	Std	-	-	16.5	17.0	17.5
	3/4"	-	-	-	18.0	18.5
	1 1/2"	-	-	-	18.5	19.0
6"	Std	-	-	-	18.0	18.5
	3/4"	-	-	-	18.5	19.0
	1 1/2"	-	-	-	19.5	20.0
7"	Std	-	-	-	19.0	19.5
	3/4"	-	-	-	19.5	20.0
	1 1/2"	-	-	-	20.5	21.0
8" X 2"	Std	-	-	-	-	-
	3/4"	-	-	-	-	-
	1 1/2"	-	-	-	-	-
Frog Legs	Std	-	-	16.5	17.0	17.5
	1 1/2"	-	-	18.0	18.5	19.0

All 5" Casters						
Fork Size	Stem Size	Bolt Position				
		5	4	3	2	1
Multi Position Short	Std	-	16.5	17.0	17.5	18.0
	3/4"	-	-	-	18.0	18.5
	1 1/2"	-	-	-	19.0	19.5
Multi Position Tall	Std	-	18.5	19.0	19.5	20.0
	3/4"	-	-	-	20.0	20.5
	1 1/2"	-	-	-	21.0	21.5
3"	Std	-	-	-	-	-
	3/4"	-	-	-	-	-
	1 1/2"	-	-	-	-	-
5 1/4"	Std	-	-	17.0	17.5	18.0
	3/4"	-	-	-	18.5	19.0
	1 1/2"	-	-	-	19.0	19.5
6"	Std	-	-	18.0	18.5	19.0
	3/4"	-	-	-	19.0	19.5
	1 1/2"	-	-	-	20.0	20.5
7"	Std	-	-	19.0	19.5	20.0
	3/4"	-	-	-	20.0	20.5
	1 1/2"	-	-	-	21.0	21.5
8" X 2"	Std	-	-	-	-	-
	3/4"	-	-	-	-	-
	1 1/2"	-	-	-	-	-
Frog Legs	Std	-	-	-	17.5	18.0
	1 1/2"	-	-	-	19.0	19.5

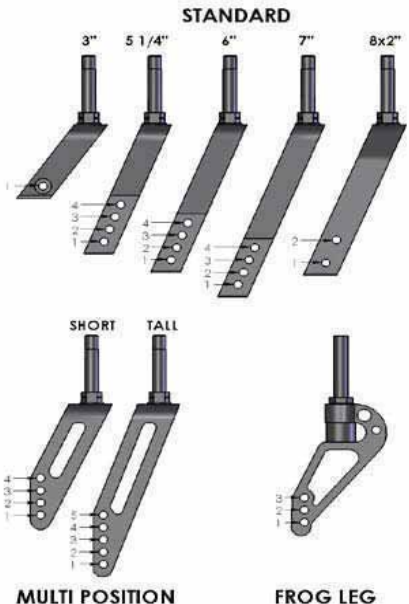
All 6" Casters						
Fork Size	Stem Size	Bolt Position				
		5	4	3	2	1
Multi Position Short	Std	-	-	17.0	17.5	18.0
	3/4"	-	-	-	18.5	19.0
	1 1/2"	-	-	-	19.0	19.5
Multi Position Tall	Std	18.0	18.5	19.0	19.5	20.0
	3/4"	-	-	-	20.5	21.0
	1 1/2"	-	-	-	21.0	21.5
3"	Std	-	-	-	-	-
	3/4"	-	-	-	-	-
	1 1/2"	-	-	-	-	-
5 1/4"	Std	-	-	17.5	18.0	18.5
	3/4"	-	-	-	18.5	19.0
	1 1/2"	-	-	-	19.5	20.0
6"	Std	-	17.5	18.0	18.5	19.0
	3/4"	-	-	-	19.5	20.0
	1 1/2"	-	-	-	20.0	20.5
7"	Std	-	18.5	19.0	19.5	20.0
	3/4"	-	-	-	20.5	21.0
	1 1/2"	-	-	-	21.0	21.5
8" X 2"	Std	-	-	-	-	-
	3/4"	-	-	-	-	-
	1 1/2"	-	-	-	-	-
Frog Legs	Std	-	-	-	18.5	19.0
	1 1/2"	-	-	-	20.0	20.5

All 7" Casters						
Fork Size	Stem Size	Bolt Position				
		5	4	3	2	1
Multi Position Short	Std	-	-	-	-	19.0
	3/4"	-	-	-	-	19.5
	1 1/2"	-	-	-	-	20.5
Multi Position Tall	Std	19.5	20.0	20.5	21.0	21.5
	3/4"	-	-	-	21.0	21.5
	1 1/2"	-	-	-	22.0	-
3"	Std	-	-	-	-	-
	3/4"	-	-	-	-	-
	1 1/2"	-	-	-	-	-
5 1/4"	Std	-	-	-	18.5	19.0
	3/4"	-	-	-	19.5	20.0
	1 1/2"	-	-	-	20.0	20.5
6"	Std	-	-	19.0	19.5	20.0
	3/4"	-	-	-	20.0	20.5
	1 1/2"	-	-	-	21.0	21.5
7"	Std	-	19.5	20.0	20.5	21.0
	3/4"	-	-	-	21.0	21.5
	1 1/2"	-	-	-	22.0	-
8" X 2"	Std	-	-	-	-	-
	3/4"	-	-	-	-	-
	1 1/2"	-	-	-	-	-
Frog Legs	Std	-	-	-	-	-
	1 1/2"	-	-	-	-	-

All 8" x 1.5" Casters						
Fork Size	Stem Size	Bolt Position				
		5	4	3	2	1
Multi Position Short	Std	-	-	-	-	-
	3/4"	-	-	-	-	-
	1 1/2"	-	-	-	-	-
Multi Position Tall	Std	-	-	-	-	-
	3/4"	-	-	-	-	-
	1 1/2"	-	-	-	-	-
3"	Std	-	-	-	-	-
	3/4"	-	-	-	-	-
	1 1/2"	-	-	-	-	-
5 1/4"	Std	-	-	-	18.5	19.0
	3/4"	-	-	-	19.5	20.0
	1 1/2"	-	-	-	20.0	20.5
6"	Std	-	-	19.0	19.5	20.0
	3/4"	-	-	-	20.0	20.5
	1 1/2"	-	-	-	21.0	21.5
7"	Std	-	19.5	20.0	20.5	21.0
	3/4"	-	-	-	21.0	21.5
	1 1/2"	-	-	-	22.0	-
8" X 2"	Std	-	-	-	-	-
	3/4"	-	-	-	-	-
	1 1/2"	-	-	-	-	-
Frog Legs	Std	-	-	-	-	-
	1 1/2"	-	-	-	-	-

All 8" x 2" Casters						
Fork Size	Stem Size	Bolt Position				
		5	4	3	2	1
Multi Position Short	Std	-	-	-	-	-
	3/4"	-	-	-	-	-
	1 1/2"	-	-	-	-	-
Multi Position Tall	Std	-	-	-	-	-
	3/4"	-	-	-	-	-
	1 1/2"	-	-	-	-	-
3"	Std	-	-	-	-	-
	3/4"	-	-	-	-	-
	1 1/2"	-	-	-	-	-
5 1/4"	Std	-	-	-	-	-
	3/4"	-	-	-	-	-
	1 1/2"	-	-	-	-	-
6"	Std	-	-	-	-	-
	3/4"	-	-	-	-	-
	1 1/2"	-	-	-	-	-
7"	Std	-	-	-	-	-
	3/4"	-	-	-	-	-
	1 1/2"	-	-	-	-	-
8" X 2"	Std	-	-	19.5	20.5	21.0
	3/4"	-	-	-	20.0	21.0
	1 1/2"	-	-	-	22.0	-
Frog Legs	Std	-	-	-	-	-
	1 1/2"	-	-	-	-	-

All Other 8" Casters						
Fork Size	Stem Size	Bolt Position				
		5	4	3	2	1
Multi Position Short	Std	-	-	-	-	-
	3/4"	-	-	-	-	-
	1 1/2"	-	-	-	-	-
Multi Position Tall	Std	19.0	19.5	20.0	20.5	21.0
	3/4"	-	-	-	21.5	22.0
	1 1/2"	-	-	-	22.0	-
3"	Std	-	-	-	-	-
	3/4"	-	-	-	-	-
	1 1/2"	-	-	-	-	-
5 1/4"	Std	-	-	-	-	19.5
	3/4"	-	-	-	-	20.0
	1 1/2"	-	-	-	-	21.0
6"	Std	-	-	-	19.5	20.0
	3/4"	-	-	-	20.5	21.0
	1 1/2"	-	-	-	21.0	21.5
7"	Std	-	19.5	20.0	20.5	21.0
	3/4"	-	-	-	21.5	22.0
	1 1/2"	-	-	-	22.0	-
8" X 2"	Std	-	-	-	-	-
	3/4"	-	-	-	-	-
	1 1/2"	-	-	-	-	-
Frog Legs	Std	-	-	-	-	-
	1 1/2"	-	-	-	-	-



* Values Given are Estimates. Actual seat to floor height may vary based on depth and rear seat to floor height selection.