

Sunrise/MWP Manual Wheelchair Specification Form Zippie Iris

February 2014

CUSTOMER INFORMATION

ACCOUNT #: _____ SHIP TO: _____
 DATE: _____ NAME: _____
 P.O.#: _____ ADDRESS: _____
 CITY: _____ PROVINCE: _____
 POSTAL CODE: _____ PHONE NUMBER: _____
 BUYER: _____ MARKED FOR: _____



Zippie IRIS (Transit Included)

188WM47 **WMK5QU010** Std. Base and Seat Frame \$3,670.00
 Includes True Fit Growth
 Max. User Weight: 165 lbs

1. FRAME STYLE

<input type="checkbox"/> 188FT46 Contracture Seat Frame (Not Avail. w/10" Frame Depth) N/C	<input type="checkbox"/> 188FS29 Battery Tray (Not avail. w/ 10" & 11" frame widths or foot wheel lock) \$510.00 (1)
--	--

2. TRANSIT SYSTEM

<input type="checkbox"/> 188TO21 Transit Included w/ Seating (Req. Selection of Seat & Back) NC	<input type="checkbox"/> 188TO21 Transit Included w/o Seating NC
	<input type="checkbox"/> 188TO23 Transit Omit -\$150

3. TILT RELEASE OPTIONS

188TT12 Dual Trigger Cable Release NC

4. PRE-SET TILT ANGLE

55° Range (Not Available with Reclining Backrest)

<input type="checkbox"/> 188TA5 -5° to 50° (Not available. with 12.5" STFH.) NC
<input type="checkbox"/> 188TA6 0° to 55° STD
<input type="checkbox"/> 188TA7 +5° to 60° NC

40° Range

<input type="checkbox"/> 188TA8 -5° to 35° (Not available with 12.5" STFH.) NC
<input type="checkbox"/> 188TA9 0° to 40° STD
<input type="checkbox"/> 188TA10 +5° to 45° NC

NOTES:
 (1) OPTION FOR PURCHASE
 (2) JUSTIFICATION

5. FRAME COLOR

STANDARD COLORS

<input type="checkbox"/> 188C2	Black (Not avail as base w/Zebra)	NC
--------------------------------	-----------------------------------	----

6. FRAME WIDTH

<input type="checkbox"/> 188W1	10"	NC
<input type="checkbox"/> 188W2	11"	NC
<input type="checkbox"/> 188W3	12"	NC
<input type="checkbox"/> 188W4	13"	NC
<input type="checkbox"/> 188W5	14"	STD

<input type="checkbox"/> 188W6	15"	NC
<input type="checkbox"/> 188W7	16"	NC
<input type="checkbox"/> 188W8	17"	NC
<input type="checkbox"/> 188W9	18"	NC

7. FRAME DEPTH

(Choose Selections from A OR B)

Selection A: Frame Depth Set up By Zippie

Desired Seat Depth

<input type="checkbox"/> 10"	<input type="checkbox"/> 11"	<input type="checkbox"/> 12"	<input type="checkbox"/> 13"	<input type="checkbox"/> 14"
<input type="checkbox"/> 15"	<input type="checkbox"/> 16"	<input type="checkbox"/> 17"	<input type="checkbox"/> 18"	

Back Type (See Figure 7.1)

<input type="checkbox"/> 3"	<input type="checkbox"/> 2"	<input type="checkbox"/> 1"	<input type="checkbox"/> Flush	<input type="checkbox"/> -1"	<input type="checkbox"/> -2"
-----------------------------	-----------------------------	-----------------------------	--------------------------------	------------------------------	------------------------------

This section determines frame length

Back Type	
1	3" Forward (+3')
2	2" Forward (+2')
3	1" Forward (+1')
4	Flush
5	1" Rearward (-1')
6	2" Rearward (-2')

Top of Cushion to Seat Rail

- 2 1/2" or Greater
- Less than 2 1/2" (STD)
- Below Seat Rail

Selection B: Frame Depth Range

<input type="checkbox"/> 188SN01	Short Seat Frame 10"-14"	NC
<input type="checkbox"/> 188SN02	Medium Seat Frame 12"-16"	NC
<input type="checkbox"/> 188SN03	Long Seat Fram 14"-18"	NC

Selection B: Frame Depth

<input type="checkbox"/> 188FD1	10" recommended w/ Short Seat Frame. Not avail. with Contracture Footrest System	NC
<input type="checkbox"/> 188FD2	11" recommended w/ Short Seat Frame.	NC
<input type="checkbox"/> 188FD3	12" rec. w/ Short Seat Frame	NC
<input type="checkbox"/> 188FD4	13" rec. w/ Med. Seat Frame	NC
<input type="checkbox"/> 188FD5	14" rec. w/ Med. Seat Frame	NC
<input type="checkbox"/> 188FD6	15" rec. w/ Med. Seat Frame	NC
<input type="checkbox"/> 188FD7	16" rec. w/ Long Seat Frame	NC
<input type="checkbox"/> 188FD8	17" rec. w/ Long Seat Frame	NC
<input type="checkbox"/> 188FD9	18" rec. w/ Long Seat Frame	NC

Select from A OR B

8. SEATING

SEATS

<input type="checkbox"/> 188ST35	Seat Pan-Growable (Fig. 8.1)	\$140.00
<input type="checkbox"/> 188ST36	Drop Seat Pan	\$145.00 (1)
<input type="checkbox"/> 188ST54	Omit Seat Pan	Std

REFERENCE ONLY	
Seat Pan Size	Dim A Range
10" - 16"	11-1/4" - 15-1/4"
14" - 18"	15" - 19"

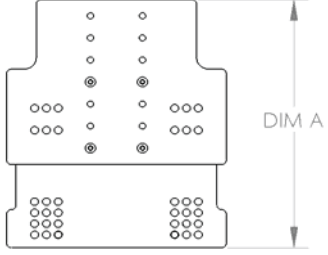
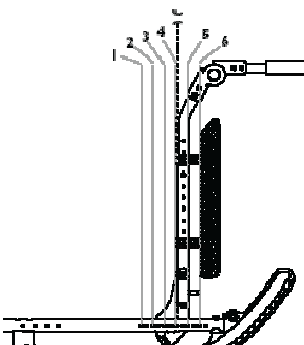
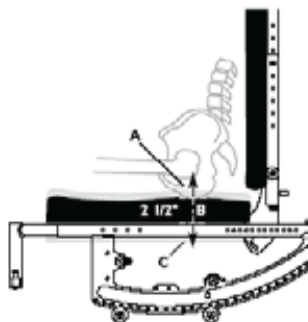


Figure 8.1 - Frame Depth Growth Range Matrix

Figure 7.1



Top of Cushion to Seat Rail



NOTES:
 (1) OPTION FOR PURCHASE
 (2) JUSTIFICATION

9. STROLLER HANDLE BACK POSTS - BACK RESTS

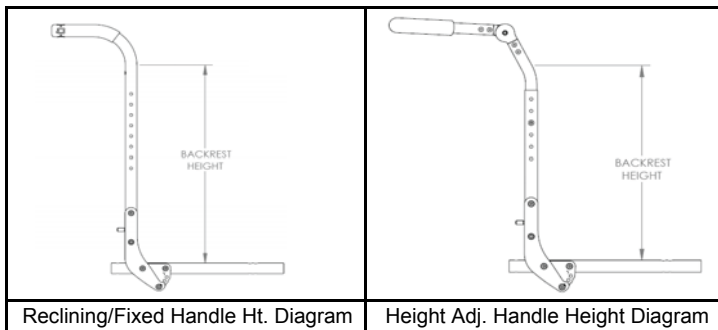
FIXED HEIGHT

<input type="checkbox"/>	188BP9	Low (19" Ht)	NC
<input type="checkbox"/>	188BP10	Medium (22" Ht)	NC
<input type="checkbox"/>	188BP11	Tall (25" Ht)	NC
<input type="checkbox"/>	188BP13	Removable Extension	\$135.00 (2)
<input type="checkbox"/>	188RG1	Folding Adjustable Rigidizer	\$230.00 (1)

HEIGHT ADJUSTABLE

Rigid Frame w/ Angle Adjust Push Handle

<input type="checkbox"/>	188B170	Std. (16"-22" Height.)	\$300.00
<input type="checkbox"/>	188PH8	<i>Std. Angle Adj. Push Handle Lgth</i>	NC
<input type="checkbox"/>	188PH9	<i>Long Angle Adj. Push Handle Length</i>	NC
<input type="checkbox"/>	188B171	Tall (19"-25" Height.)	\$300.00
<input type="checkbox"/>	188PH8	<i>Std. Angle Adj. Push Handle Lgth</i>	NC
<input type="checkbox"/>	188PH9	<i>Long Angle Adj. Push Handle Length</i>	NC



RECLINING BACKREST (only available with 40° Tilt Range)

<input type="checkbox"/>	188B172	Medium (21" Height)	\$1,300.00 (2)
<input type="checkbox"/>	188B173	Tall (24" Height)	\$1,300.00 (2)

10. ARMRESTS

ARMREST AND ARMPAD

Dual Post not available with 0 - 13" deep or with 14 - 15" deep seat pan

<input type="checkbox"/>	188AA12	T-Post Regular w/Foam	NC
<input type="checkbox"/>	188AA13	T-Post Tall w/Foam	NC
<input type="checkbox"/>	188AA3	Flip-Up	NC
<input type="checkbox"/>	188AA1	Adjustable Locking Flip-Up	\$280.00
<input type="checkbox"/>	188AM23	<i>Desk Length (10")</i>	NC
<input type="checkbox"/>	188AM24	<i>Full Length (14")</i>	NC
<input type="checkbox"/>	188AM9	<i>Foam Short (not avail. w/T Post)</i>	NC
<input type="checkbox"/>	188AM10	<i>Foam Long (not avail. w/T Post)</i>	NC
<input type="checkbox"/>	188AA62	Dual Post	NC
<input type="checkbox"/>	188AA63	Dual Post Height Adjustable	\$315.00
<input type="checkbox"/>	188AA43	Dual Post Flip Back	\$140.00
<input type="checkbox"/>	188AA48	Dual Post Flip Back Height Adj.	\$280.00

ARMREST-HEIGHT ADJUSTABLE

<input type="checkbox"/>	188AA11	Single-Post Height Adj. Std.	\$280.00
<input type="checkbox"/>	188AM23	<i>Desk Classic</i>	NC
<input type="checkbox"/>	188AM21	<i>Desk Contour</i>	NC
<input type="checkbox"/>	188AM24	<i>Full Classic</i>	NC
<input type="checkbox"/>	188AM22	<i>Full Contour</i>	NC
<input type="checkbox"/>	188AA29	Single-Post Height Adj. Low	\$280.00
<input type="checkbox"/>	188AM23	<i>Desk Classic</i>	NC
<input type="checkbox"/>	188AM21	<i>Desk Contour</i>	NC
<input type="checkbox"/>	188AM24	<i>Full Classic</i>	NC
<input type="checkbox"/>	188AM22	<i>Full Contour</i>	NC

ARMREST RECEIVER FOR HEIGHT ADJUSTABLE ARMREST

<input type="checkbox"/>	188AR17	Low	NC
<input type="checkbox"/>	188AR18	Std	NC

Armrest Size	Transfer Tube Length D	Receiver	CLASSIC PAD			
			H Range	Pad Length L		
				Desk	Full	
STD	8"	STD	10 3/4" to 15 3/4"	10 1/4"	14"	
		LOW	8 3/4" to 13 3/4"			
LOW	5 1/4"	STD	9" to 13"			
		LOW	7 1/4" to 11 1/4"			
		Receiver	CONTOUR PAD			
			H Range	Pad Length L		
				Desk	Full	
			STD	10" to 15"	10 1/2"	14 1/4"
			LOW	8 1/4" to 12 1/2"		
STD	8 1/2" to 12 1/2"					
LOW	6 3/4" to 10 3/4"					

Armrest Matrix for Single Post

NOTES:
 (1) OPTION FOR PURCHASE
 (2) JUSTIFICATION

11. FOOTRESTS

HANGER MOUNTED FOOTRESTS (Footplates Mount to Hanger Tubing)

<i>Hanger Type</i>		
<input type="checkbox"/>	188H89	70 ° Swing In/Out Front Mount NC
<input type="checkbox"/>	188H90	80 ° Swing In/Out Front Mount NC
<input type="checkbox"/>	188H91	90 ° Swing In/Out Front Mount NC
<input type="checkbox"/>	188H9	70 ° Hvy Dty Fnt Mount Lift-Off \$160.00 (2)
<input type="checkbox"/>	188H10	80 ° Hvy Dty Fnt Mount Lift-Off \$160.00 (2)
<input type="checkbox"/>	188H11	90 ° Hvy Dty Fnt Mount Lift-Off \$160.00 (2)
<input type="checkbox"/>	188H23	90 ° Elevating \$280.00 (2)
<i>Extensions (may interfere with some seat heights & casters)</i>		
<input type="checkbox"/>	188E23	2" (not mounted) \$45.00
<input type="checkbox"/>	188E24	4" (not mounted) \$45.00
<i>Footplate</i>		
<input type="checkbox"/>	188F9	Kids Angle Adjustable w/Leg Strap NC (not avail. w/17"-18" widths)
<input type="checkbox"/>	188F8	Adult Angle Adj. W/Heel Loops \$145.00 (2) (Available with 17"-18" widths)
<input type="checkbox"/>	188F62	Footboard w/Leg Strap \$190.00 (2) (Available with 10"-16" widths)

EXT. TUBE MOUNTED FOOTRESTS (Footplates Mount to Ext. Tube)

<i>Hanger Type</i>		
<input type="checkbox"/>	188H85	60 ° Swing In/Out NC
<input type="checkbox"/>	188H86	70 ° Swing In/Out STD
<input type="checkbox"/>	188H116	80 ° Swing In/Out STD
<input type="checkbox"/>	188H24	Articulating \$435.00 (1)
<input type="checkbox"/>	188H14	Elevating (Not avail. w/ composite or platform footplates.) \$280.00 (2)
<i>Extensions</i>		
<input type="checkbox"/>	188E1	Short (11.5" - 14") NC
<input type="checkbox"/>	188E2	Medium (14" - 17") NC Not avail. w/ Elevating Legrests
<input type="checkbox"/>	188E5	Long (17" - 19") NC
<input type="checkbox"/>	188E16	High Mount \$80.00 (2)
<i>Footplate</i>		
<input type="checkbox"/>	188F1	Composite w/Heel Loops (not avail. In 10", 11" or 12" width) STD
<input type="checkbox"/>	188F3	Adult Angle Adjustable \$145.00 (2) W/Heel Loops
<input type="checkbox"/>	188F4	Kids Angle Adjustable w/Leg Strap \$145.00 (2) (not avail. w/17"-18" width)
<input type="checkbox"/>	188F5	Aluminum (Only available with elevating legrests 14"-18") NC
<input type="checkbox"/>	188F48	Platform Flip-Up w/Leg Strap \$190.00 (1) (Avail on 60° 70° and 80° ext. mount hangers only)

FOOTREST HANGER OPTIONS

<input type="checkbox"/>	188IG2	Neoprene Covers (Avail. on 60°/70°/80° ext. mount hangers only)	\$50.00 (1)
<input type="checkbox"/>	188A54	Extra Single Leg Strap	\$30.00 (1)
<input type="checkbox"/>	188A110	Toe Loop (Only avail. w/ adult angle adjust. footplates)	\$35.00 (2)
<input type="checkbox"/>	188H32	Omit Hanger	(\$16.00)
<input type="checkbox"/>	188F7	Omit Footplate and Ext. Tube	(\$16.00)
<input type="checkbox"/>	188HL4	Omit Heel Loop	NC
<input type="checkbox"/>	188HL6	Omit Single Leg Strap	NC

Contracture Footrest System (CFS) \$485.00

*Multi-Adj. Padded Hangers & Angle Adj. Aluminum Footrests.
Not Available with Dual Post Armrest.*

<input type="checkbox"/>	188FP01	CFS - Center Mount	NC
<input type="checkbox"/>	188FP02	CFS - Outside Mount	NC
<input type="checkbox"/>	188E1	SHORT	NC
<input type="checkbox"/>	188EP1	10.5" Extension Height	NC
<input type="checkbox"/>	188EP2	11.0" Extension Height	NC
<input type="checkbox"/>	188EP3	11.5" Extension Height	NC
<input type="checkbox"/>	188EP4	12.0" Extension Height	NC
<input type="checkbox"/>	188EP5	12.5" Extension Height	NC
<input type="checkbox"/>	188EP6	13.0" Extension Height	NC
<input type="checkbox"/>	188E2	REGULAR	NC
<input type="checkbox"/>	188EP5	12.5" Extension Height	NC
<input type="checkbox"/>	188EP6	13.0" Extension Height	NC
<input type="checkbox"/>	188EP7	13.5" Extension Height	NC
<input type="checkbox"/>	188EP8	14.0" Extension Height	NC
<input type="checkbox"/>	188EP9	14.5" Extension Height	NC
<input type="checkbox"/>	188EP10	15.0" Extension Height	NC

NOTES:
(1) OPTION FOR PURCHASE
(2) JUSTIFICATION

CASTER WHEEL

<input type="checkbox"/>	188CW31	4" Micro Light Up	\$90.00 (1)
<input type="checkbox"/>	188CW51	5" Micro Light Up	\$110.00 (1)
<input type="checkbox"/>	188CW5	5" Low-Profile Polyurethane	STD
<input type="checkbox"/>	188CW7	5" x 1.5" Semi-Pneumatic	\$90.00 (1)
<input type="checkbox"/>	188CW33	6" Pneumatic	\$75.00
<input type="checkbox"/>	188CW34	6" Polyurethane	NC
<input type="checkbox"/>	188CW35	6" x 1.5" Semi-Pneumatic	\$120.00
<input type="checkbox"/>	188CW21	8" Pneumatic	\$100.00
<input type="checkbox"/>	188CW32	8" Polyurethane	NC
<input type="checkbox"/>	188CW39	8" x 1.5" Semi-Pneumatic	\$120.00
<input type="checkbox"/>	188CW36	8" x 2" Pneumatic	\$205.00 (2)
<input type="checkbox"/>	188CW37	8" x 2" Pneumatic w/Airless Insert	\$325.00 (2)

Rear Wheel Size	CASTER SIZE				
	4	5	6	8	8x2
12	12.5	16.0	16.0	16.0	
		16.5	16.5	16.5	
		17.0	17.0	17.0	17.0
		17.5			
12 Low Poly		15.0	15.0		
		15.5	15.5		
		16.0	16.0	16.0	
		16.5		16.5	16.5
16		13.5			
		14.0	14.5		
		14.5	17.0	17.5	
		17.5	17.5	18.0	18.0
		18.0	18.0	18.5	
		18.5	18.5	19.0	19.0
20		15.5	16.0	16.0	16.0
		16.0	16.5	16.5	
		16.5	17.0	17.0	17.0
22		17.0	16.5	17.0	17.0
		17.5	17.0	17.5	
		18.0	17.5	18.0	18.0
			18.0		
24			17.0	17.5	
		17.5	17.5	18.0	18.0
		18.0	18.0	18.5	
		18.5	18.5	19.0	19.0

ONE ARM DRIVE

<input type="checkbox"/>	188AL17	One Arm Drive (Avail. w/ 20", 22", \$1,145.00 (2) 24" Mag Rear Wheels)	
<input type="checkbox"/>	188OA2	Standard Handrim	NC
<input type="checkbox"/>	188HM1	<i>Right</i>	NC
<input type="checkbox"/>	188HM2	<i>Left</i>	NC
<input type="checkbox"/>	188OA1	Small Handrim	NC
<input type="checkbox"/>	188HM1	<i>Right</i>	NC
<input type="checkbox"/>	188HM2	<i>Left</i>	NC

REAR WHEEL SIZE

<input type="checkbox"/>	188RW13	12" Mag (Not available with handrims)	STD
<input type="checkbox"/>	188RW8	22" Mag	NC
<input type="checkbox"/>	188RW1	24" Mag	NC
<input type="checkbox"/>	188RW91	22" Lite Spoke	\$265.00 (1)
<input type="checkbox"/>	188RW92	24" Lite Spoke	\$265.00 (1)

AXLE

<input type="checkbox"/>	188AX26	One Arm Drive Axle (Only avail. w/One Arm Drive Option)	STD
<input type="checkbox"/>	188AX1	<i>Quick Release</i>	NC
<input type="checkbox"/>	188AX11	Quad Quick Release (<i>not available with Lite Spokes</i>)	\$150.00 (1)

NOTES:
 (1) OPTION FOR PURCHASE
 (2) JUSTIFICATION

13. AXLES AND WHEELS - CONT.

REAR WHEEL TIRE

<input type="checkbox"/>	188RT1	Pneumatic	NC
<input type="checkbox"/>	188RT2	Pneumatic Airless Insert	\$205.00
<input type="checkbox"/>	188RT3	Full Polyurethane (Not avail.w/ 12" & 16" rear wheels)	NC
<input type="checkbox"/>	188RT4	Low Polyurethane (Only available with 12" wheels)	NC
<input type="checkbox"/>	188RT8	Kevlar (Only available with 24" wheels)	\$85.00 (1)

HANDRIM

<input type="checkbox"/>	188HR1	Aluminum Anodized	NC
<input type="checkbox"/>	188HR4	Plastic Coated	\$130.00 (2)
<input type="checkbox"/>	188HR7	Omit (Not available with wheel/axle credit)	(\$12.00)

PROJECTIONS (Not Available on Plastic Coated)

Only available with 24" wheels & not available with spoke guards.

<input type="checkbox"/>	188HR8	8 Oblique	\$120.00 (2)
--------------------------	--------	-----------	--------------

HUB LOCK

**Only available with 12" or 16" wheels. Not available w/one arm drive.*

<input type="checkbox"/>	188LK01	12" Hub Lock	\$130.00 (1)
--------------------------	---------	--------------	--------------

WHEEL LOCK

Not available with Hub Lock

<input type="checkbox"/>	188WL34	High Mount Push	NC
<input type="checkbox"/>	188WL36	Foot Lock	\$75.00
<input type="checkbox"/>	188WL10	Omit	NC

EXTENSION HANDLE

<input type="checkbox"/>	188EH1	6" Pair	\$90.00 (2)
--------------------------	--------	---------	-------------

ANTI-TIP

<input type="checkbox"/>	188AT1	Rear Anti-Tip	\$100.00
--------------------------	--------	---------------	----------

14. ACCESSORIES

BACKPACK

<input type="checkbox"/>	188A1	Black Utility Backpack	\$92.00 (1)
<input type="checkbox"/>	188A7	Black Kids	\$85.00 (1)

SEAT POUCH

<input type="checkbox"/>	188A8	Black	\$70.00 (1)
--------------------------	-------	-------	-------------

MISCELLANEOUS

<input type="checkbox"/>	188A83	Tool Kit	\$35.00 (1)
--------------------------	--------	----------	-------------

POSITIONING BELT

<input type="checkbox"/>	188A112	1" Dual Pull Side Squeeze Padded	\$110.00 (1)
<input type="checkbox"/>	188A12	Belt 2" Aircraft Buckle	\$115.00 (1)
<input type="checkbox"/>	188A13	Belt 2" Aircraft Buckle Padded	\$170.00 (1)
<input type="checkbox"/>	188A141	Belt 1.5" Auto Buckle w/ Clamps	\$80.00 (1)

SPOKE GUARD

(Not available with 12" & 16" rear wheels & Projections Handrims)

<input type="checkbox"/>	188A23	Black	\$130.00 (1)
<input type="checkbox"/>	188A303	Clear	\$130.00 (1)

UPPER EXTREMITY SUPPORT TRAY

<input type="checkbox"/>	188A29	X-Sm (Suggested 10"-12" Width)	\$315.00 (1)
<input type="checkbox"/>	188A30	Sm (Suggested 13"-14" Width)	\$315.00 (1)
<input type="checkbox"/>	188A31	Med (Suggested 15"-17" Width)	\$315.00 (1)
<input type="checkbox"/>	188A32	Lrg (Suggested 18"-20" Width)	\$315.00 (1)

SIDE GUARD

(Not available with height adjustable armrests or T Posts)

<input type="checkbox"/>	188SG33	Plastic Std	\$155.00 (1)
<input type="checkbox"/>	188SG29	Plastic Low	\$155.00 (1)

NOTES:
 (1) OPTION FOR PURCHASE
 (2) JUSTIFICATION